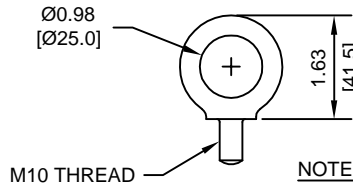


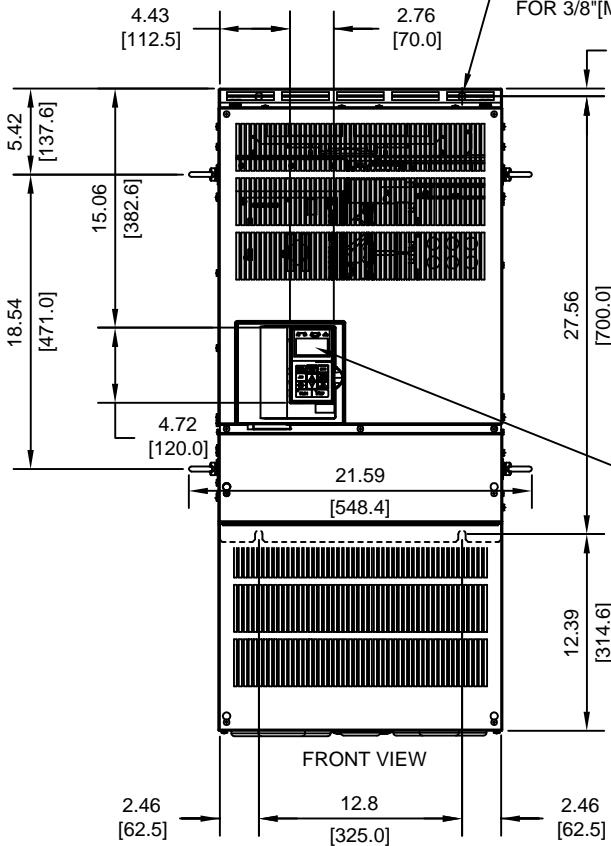
(2) EXTERNAL COOLING FANS

**LIFTING AND EYEBOLT DETAILS**



**NOTE:**  
SPREADER BAR REQUIRED TO AVOID DAMAGE DURING LIFTING

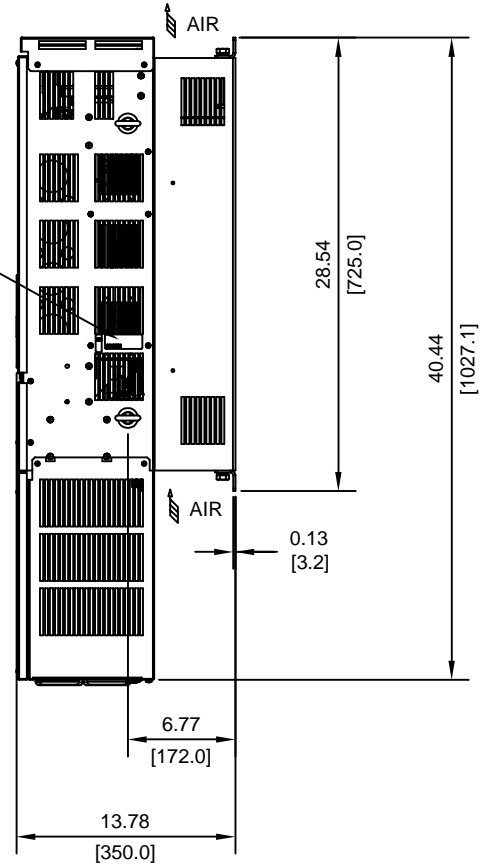
(4)-MOUNTING HOLES FOR 3/8" [M10] SCREWS  
0.5 [12.6]



FRONT VIEW

NAMEPLATE

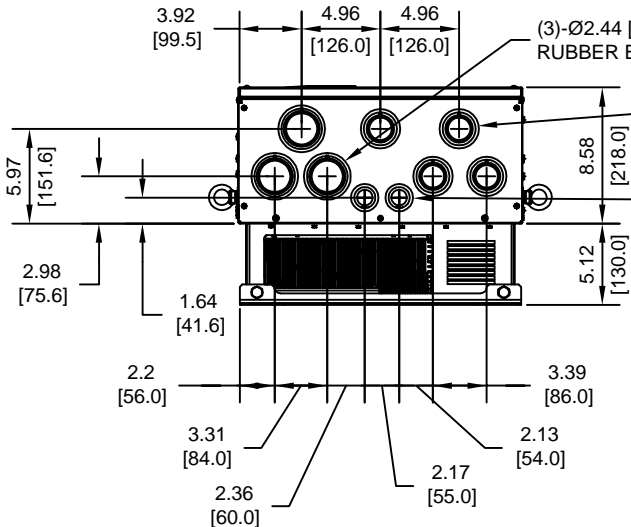
DIGITAL OPERATOR



(3)-Ø2.44 [62] HOLE WITH RUBBER BUSHING

(4)-Ø1.97 [50] HOLE WITH RUBBER BUSHING

(2)-Ø1.38 [35] HOLE WITH RUBBER BUSHING



MODEL #	VOLTAGE (VAC)	OUTPUT CURRENT (A)		WEIGHT LBS (Kg)	HEAT LOSS (W)		
		ND2	HD		INT	EXT	TOTAL
2055	208/230	215	215	207 (94)	619	1588	2207
2075		312	283	209 (95)	844	1956	2800
4075	480	156	150	211 (96)	562	1285	1847
4090		180	180	213 (97)	673	1614	2287

ND2=NORMAL DUTY 2      INT=INTERNAL COMPONENTS  
HD=HEAVY DUTY          EXT=EXTERNAL HEATSINK

FOR ADDITIONAL DETAILS AND SPECIFICATIONS, CONSULT MANUAL

TOLERANCES/REFERENCES:

UNITS: IN [mm]      SCALE: 1:12

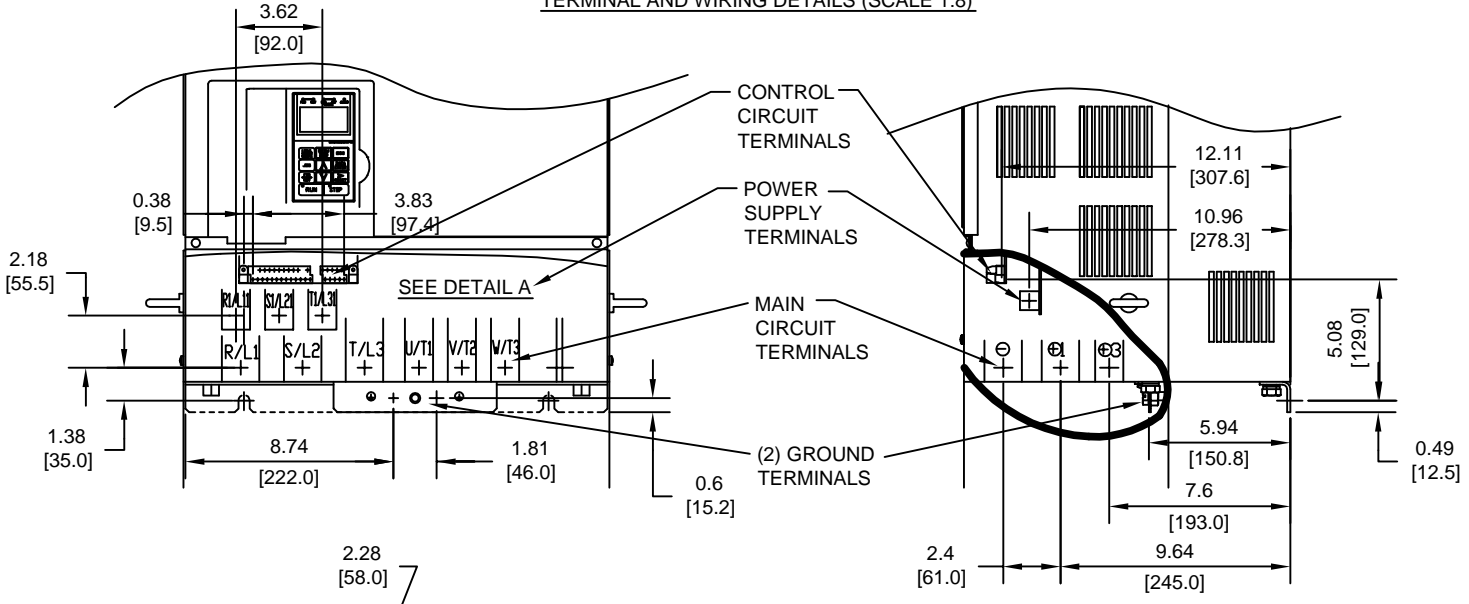
**YASKAWA**  
*A World of Automation Solutions™*

YASKAWA ELECTRIC AMERICA, INC.  
Corporate Headquarters  
2121 Norman Drive South  
Waukegan, IL 60085  
1-800-YASKAWA  
http://www.yaskawa.com

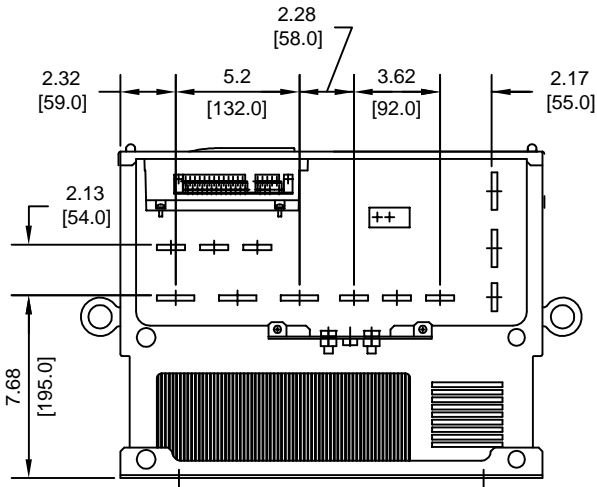
DRAWN: J. MATTAS	DATE: 6-17-03
CHECKED: M. RUCINSKI	DATE: 7-15-03
TECH: J. CAIRO	DATE: 6-30-03
APPROVED: T. SASADA	DATE: 7-15-03
ORIGINAL DESIGN: -	DATE: -

TITLE: F7 DIMENSION DRAWING FRAME SIZE 10 NEMA TYPE 1/IP20 ENCLOSURE F7U2055 TO 2075, 4075 TO 4090		
SIZE: A	REVISION: A	PAGE: 1 of 3
DRAWING #: DD.F7.FR10.N1.01		

TERMINAL AND WIRING DETAILS (SCALE 1:8)

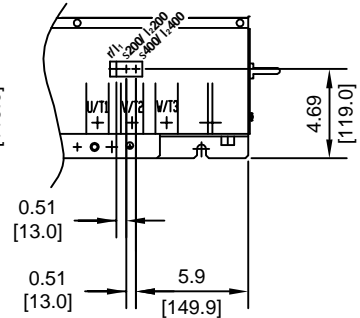
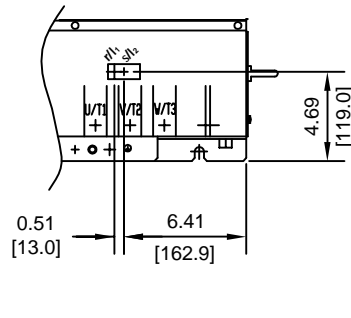


DETAIL A (SCALE 1:10)



MODELS F7U2055 AND F7U2075

MODELS F7U4075 AND F7U4090



TERMINAL AND WIRE SPECIFICATIONS FOR MAIN CIRCUIT AND GROUND

MODEL # CIMR-F7U	TERMINAL SYMBOL	TERMINAL SCREW	CLAMPING TORQUE lb.in.(N.m.)
2055	R/L1, S/L2, T/L3, ⊕, ⊕1, ⊕2, U/T1, V/T2, W/T3, R1/L11, S1/L21, T1/L31	M10	155 TO 198 (17.6 TO 22.5)
	⊕3	M8	78.0 TO 95.0 (8.8 TO 10.8)
	r/l1, s/l2	M4	11.4 TO 12.3 (1.3 TO 1.4)
2075	R/L1, S/L2, T/L3, U/T1, V/T2, W/T3, R1/L11, S1/L21, T1/L31	M10	155 TO 198 (17.6 TO 22.5)
	⊕3	M8	78.0 TO 95.0 (8.8 TO 10.8)
	⊕, ⊕1, ⊕2	M12	277 TO 345 (31.4 TO 39.2)
	r/l1, s/l2	M4	11.4 TO 12.3 (1.3 TO 1.4)
4075	R/L1, S/L2, T/L3, ⊕, ⊕1, ⊕2, U/T1, V/T2, W/T3, R1/L11, S1/L21, T1/L31	M10	155 TO 198 (17.6 TO 22.5)
	⊕3	M8	78.0 TO 95.0 (8.8 TO 10.8)
	r/l1, s200/l2200, s400/l2400	M4	11.4 TO 12.3 (1.3 TO 1.4)
4090	R/L1, S/L2, T/L3, ⊕, ⊕1, ⊕2, U/T1, V/T2, W/T3, R1/L11, S1/L21, T1/L31	M10	155 TO 198 (17.6 TO 22.5)
	⊕3	M8	78.0 TO 95.0 (8.8 TO 10.8)
	r/l1, s200/l2200, s400/l2400	M4	11.4 TO 12.3 (1.3 TO 1.4)

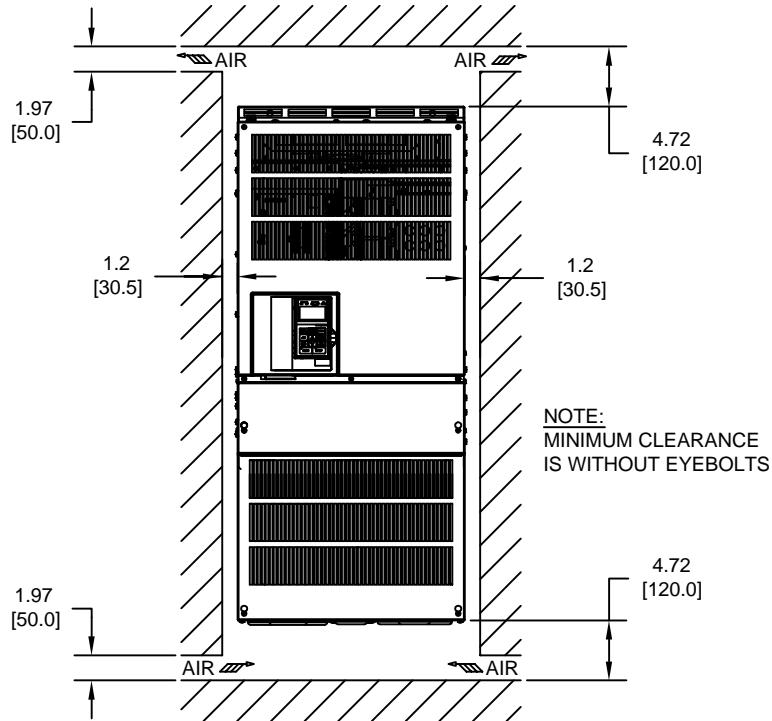
NOTE: REFER TO APPLICABLE CODES FOR PROPER WIRE TYPE AND SIZE

FOR ADDITIONAL DETAILS AND SPECIFICATIONS, CONSULT MANUAL

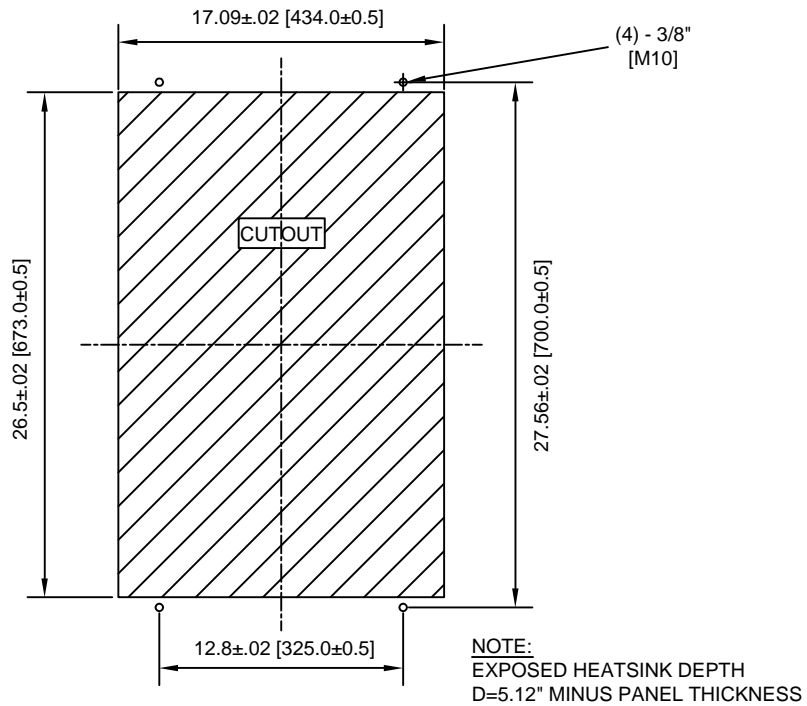
TOLERANCES/REFERENCES: - - - - -	<p><b>YASKAWA</b> A World of Automation Solutions™</p> <p>YASKAWA ELECTRIC AMERICA, INC. Corporate Headquarters 2121 Norman Drive South Waukegan, IL 60085 1-800-YASKAWA http://www.yaskawa.com</p>	DRAWN: J. MATTAS	DATE 6-17-03	TITLE: F7 DIMENSION DRAWING			
		CHECKED: M. RUCINSKI	DATE 7-15-03	FRAME SIZE 10			
		TECH: J. CAIRO	DATE 6-30-03	NEMA TYPE 1/IP20 ENCLOSURE			
		APPROVED: T. SASADA	DATE 7-15-03	F7U2055 TO 2075, 4075 TO 4090			
UNITS: IN[mm]	SCALE: BY VIEW	ORIGINAL DESIGN: -	DATE -	<table border="1"> <tr> <td>SIZE A</td> <td>REVISION A</td> <td>PAGE 2 of 3</td> </tr> </table>	SIZE A	REVISION A	PAGE 2 of 3
SIZE A	REVISION A	PAGE 2 of 3					

DD.F7.FR10.N1.01


MINIMUM INSTALLATION CLEARANCES (SCALE 1:15)



PANEL CUTOUT FOR EXTERNAL HEATSINK MOUNTING CONFIGURATION (SCALE 1:10)



FOR ADDITIONAL DETAILS AND SPECIFICATIONS, CONSULT MANUAL

TOLERANCES/REFERENCES: -		 <b>YASKAWA</b> <i>A World of Automation Solutions™</i> <b>YASKAWA ELECTRIC AMERICA, INC.</b> Corporate Headquarters 2121 Norman Drive South Waukegan, IL 60085 1-800-YASKAWA <a href="http://www.yaskawa.com">http://www.yaskawa.com</a>	DRAWN: J. MATTAS	DATE <b>6-17-03</b>	TITLE: F7 DIMENSION DRAWING		
			CHECKED: M. RUCINSKI	DATE <b>7-15-03</b>	FRAME SIZE 10		
		TECH: J. CAIRO	DATE <b>6-30-03</b>	NEMA TYPE 1/IP20 ENCLOSURE			
		APPROVED: T. SASADA	DATE <b>7-15-03</b>	SIZE A	REVISION A	PAGE 3 of 3	
UNITS: IN[mm]	SCALE: BY VIEW	ORIGINAL DESIGN: -	DATE -	DRAWING #: <b>DD.F7.FR10.N1.01</b>			